



-7RF Antenna-

7RF-CMT-10-RG174

Author: Sam Yang(7RF TW)

Revision: A

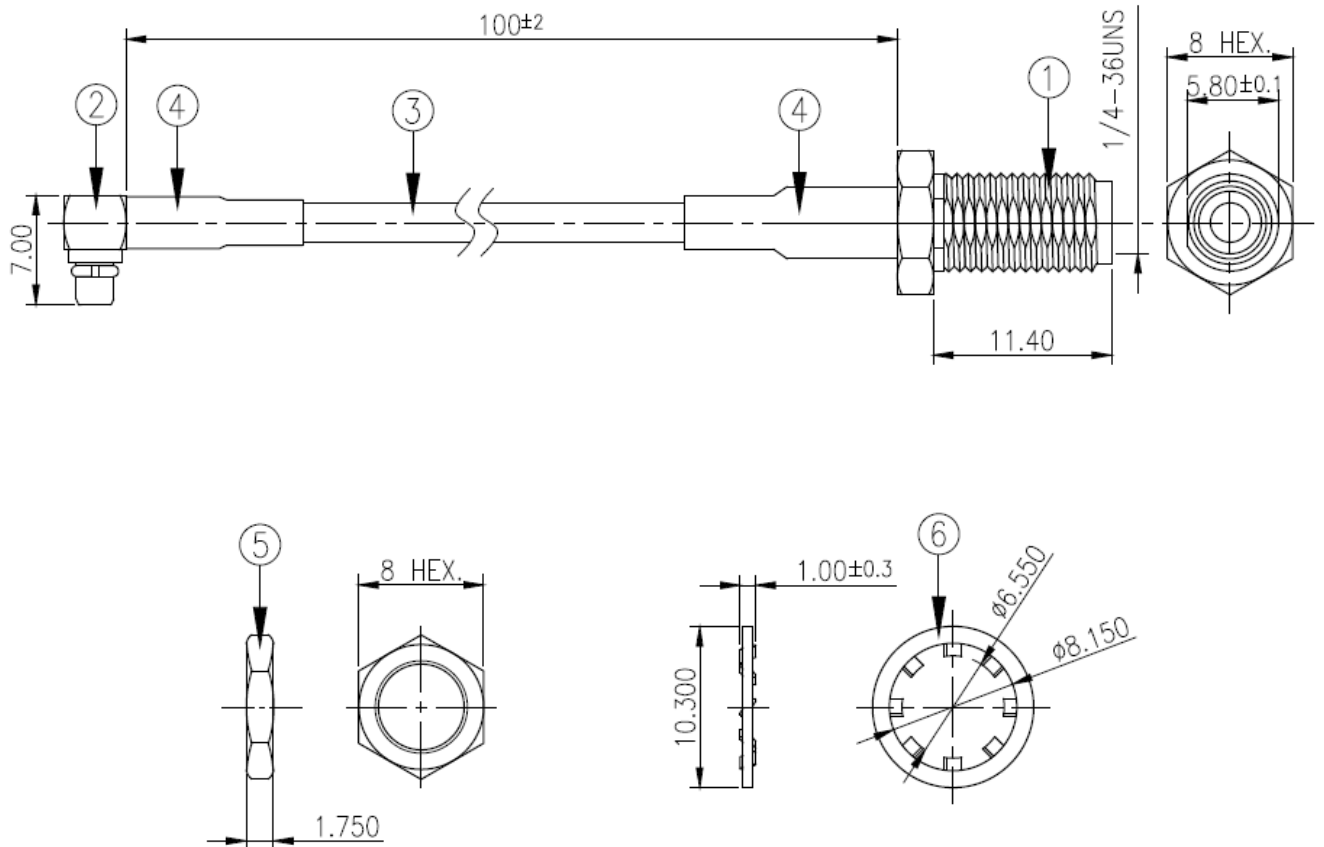
Date: 2019/08/02



I. Cable Assembly Specification Table

Insulation Resistance	10MΩ-Km	
Conductor Resistance	148.96 Ω/Km	
Dielectric Strength	AC 500V/1 minute no breakdown	
Capacitance	30.8pf/ft	
Impedance	10MHz-3GHz , 50+/- 5Ω	
Temperature Resistance	80°C	
Voltage Resistance	30V	
Attenuation	100MHz	8.4dB/100ft
	400MHz	19dB/100ft
	1GHz	34dB/100ft
	1.8GHz	49.4dB/100ft
	2.4GHz	53dB/100ft

II. Cable Assembly Drawing (Unit: mm)





	Name	Material	Finish	QTY
1	SMA(F) BULKHEAD ST	BRASS	Au PLATED	1
2	MMCX(M) RA	BRASS	Au PLATED	1
3	RG-174 COAXIAL CABLE	PVC	BLACK	1
4	HEAT SHRINK TUBE	PE	BLACK	2
5	NUT	BRASS	Au PLATED	1
6	WASHER	BRASS	Au PLATED	1

