



**-7RF Antenna-**

**SSC-1000-RG174J**

**External Screw Mounted LTE Antenna**



Author: Wayne Yang(7RF TW)

Revision: A

Date: 2019/05/07

\*ISO-SPEC-19-12-A



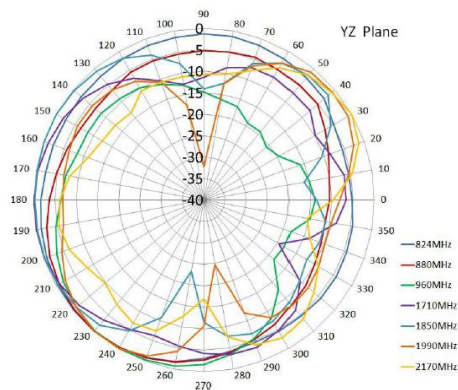
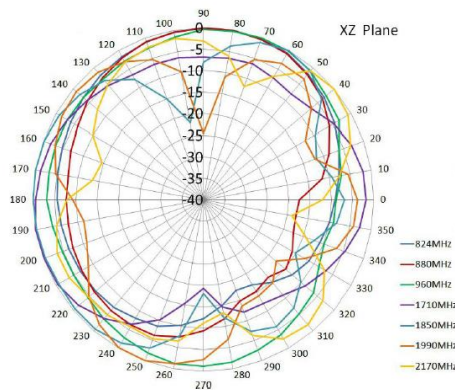
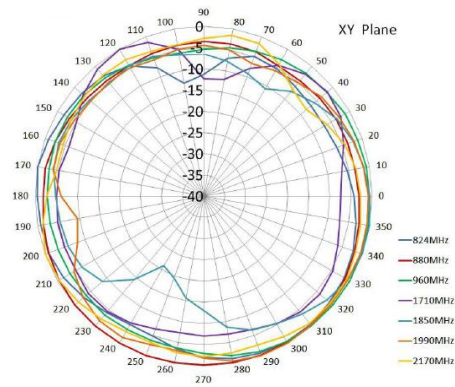
## I. Antenna Specification Table

Item		Specifications
Antenna	Frequency Range	824~960/1710~2170MHz
	Polarization	Linear
	Gain	2dBi (Zenith)
	V.S.W.R	<2.0
	Impedance	50 $\Omega$
Mechanical	Cable	RG174 or others
	Connector	SMA or others
	Radome Material	ABS
	Mounting Method	Screw
Environmental	Operating Temperature	-40°C~+85°C
	Relative Humidity	Up to 95%
	Ingress Protection	IP67 (exclude cable outlet)
	Vibration	10 to 55Hz with 1.5mm amplitude 2hours
	Environmentally Friendly	ROHS Compliant

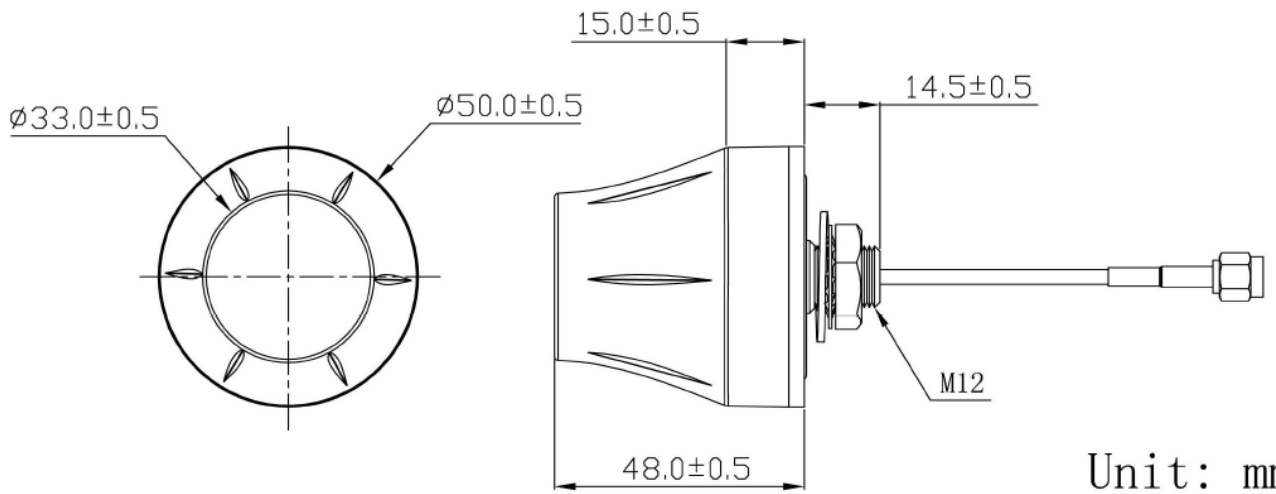
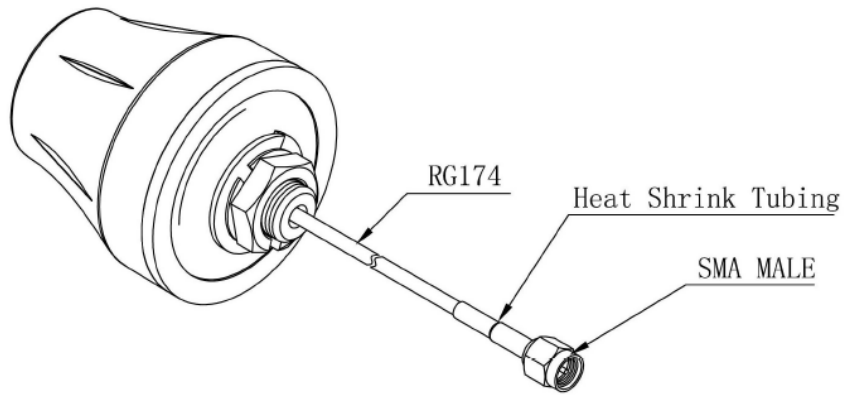


## II. Antenna Parameters

Radiation Pattern:



### III. Antenna Drawing



Unit: mm

### IV. Installation Method

