



-7RF Antenna-

7RF-MAP-0004-GJ-01

Screw Mounted External GPS 1 Stages 18dB LNA

Active Patch Antenna



Author: Sam
Revision: A
Date: 2020/03/06

*ISO-SPEC-20-01_A



I. Introduction.

7RF provides high quality external Screw Mounted GPS active antenna. P/N: **MAP-0004-GJ-01** antenna supports GPS navigation system application. The antenna has solid enclosure with nut, which assist end user easy to mount antenna on target surface. The antenna has 30cm RG174 coaxial cable with SMA male connector as standard configuration. Cable length & Connector are customizable. Contact your local sales to get more product information.

II. Antenna Specification Table

Antenna Part Number	MAP-0004-GJ01-01
Frequency Range	L1:1575.42MHz \pm 1.023 MHz
V. S. W. R	\leq 2.0
Impedance	50 ohm
Gain	4.5dBic Based on 70 \times 70mm ground plane
Polarization	RHCP

LNA Circuit

Frequency Range	L1:1575.42MHz \pm 1.023 MHz
DC Voltage	3.0-5.0V
Gain	15 \pm 3dB
V. S. W. R (Max)	\leq 2.0
Noise Figure (Max)	\leq 2.0dB
DC current (Typical)	5 \pm 3 mA (at3V)



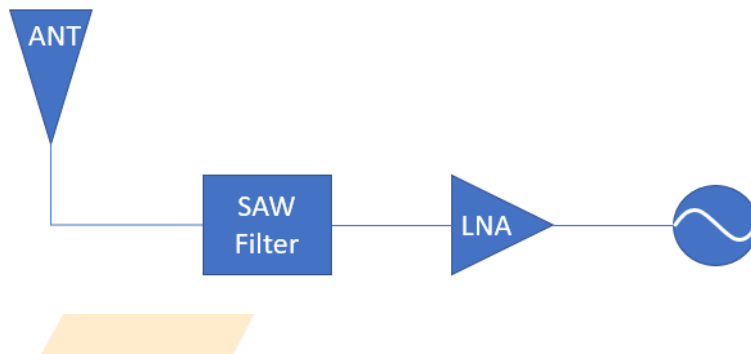
Mechanical Specification

Antenna	Dielectric Ceramics
PCB	FR4
Shielding	Tinplate
RF Cable	RG174
RF Connector	SMA MALE
Cable - Connector Tensile	$\geq 50\text{N}$

Environmental Specification

Working Temp	$-40^{\circ}\text{C}\sim+85^{\circ}\text{C}$
Storage Temp	$-40^{\circ}\text{C}\sim+85^{\circ}\text{C}$
Vibration	Sine sweep 1g(0-p)
	$10\sim55\sim10\text{Hz}$ each axis
Waterproof grade of shell	IP66

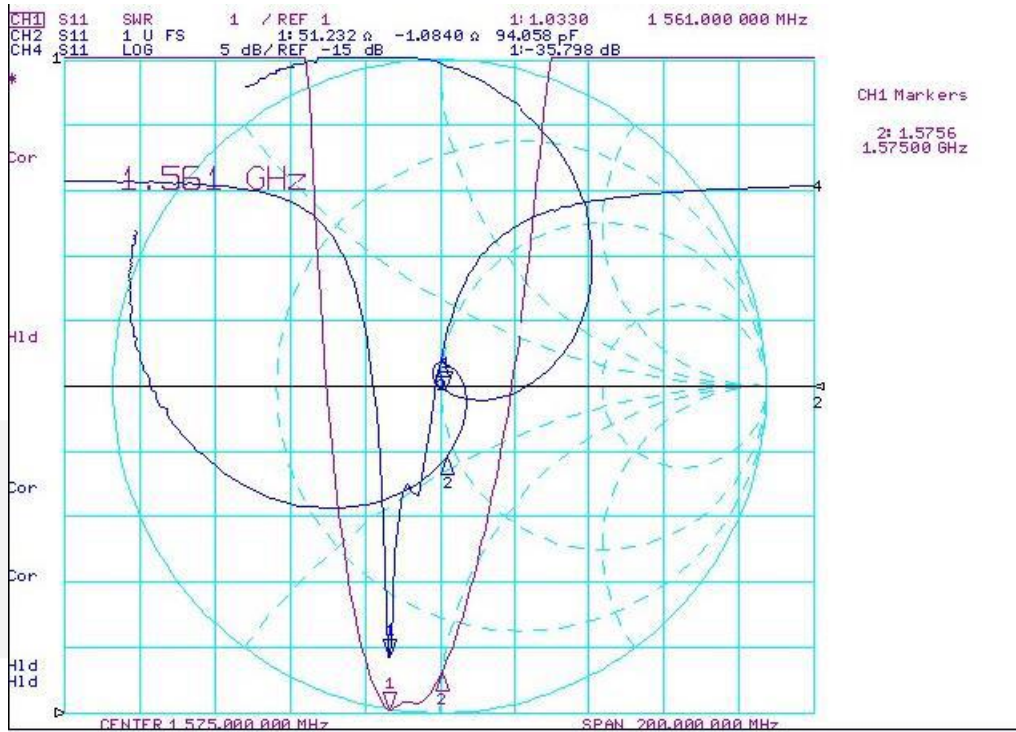
System Diagram





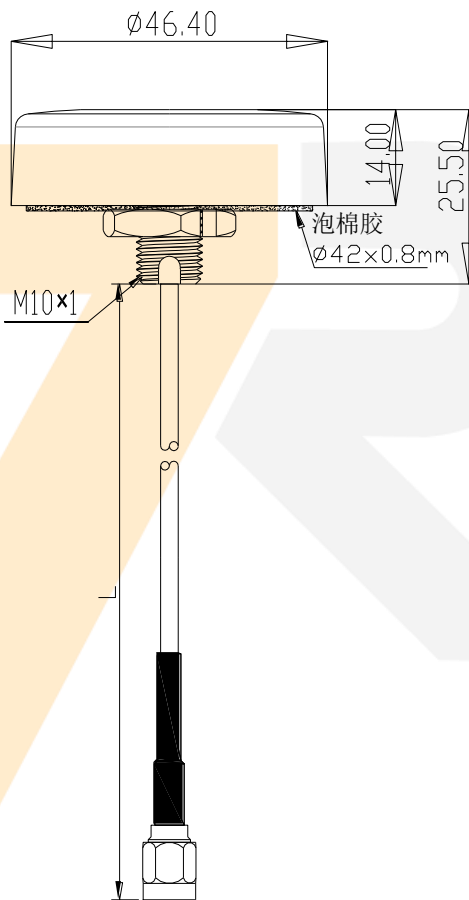
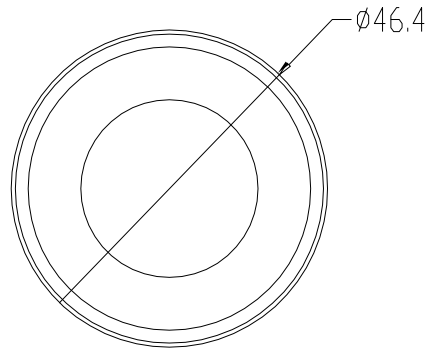
III. Antenna Characteristic

VSWR:





IV. Antenna Drawing



L : 30cm

Unit:mm



V. Packaging Method



100 pieces per Carton, Carton dimension: 63*46*10.5cm

