



-7RF Antenna-

7RF-DGO24298-CF-01



Author: Sam Yang(7RF TW)
Revision: A
Date: 2020/06/04

*ISO-SPEC-20-05_A



I. Introduction.

7RF-DGO-24298-CF-01 outdoor collinear dipole antenna, which support 2G/3G cellular application bands application. The antenna has robust fiber-glass housing, and N-type female connector. It easily to contact to end-user device or extension coaxial cable. We have mounting bracket which can easily fix on pole outdoor. Contact your local sales to get more product information.

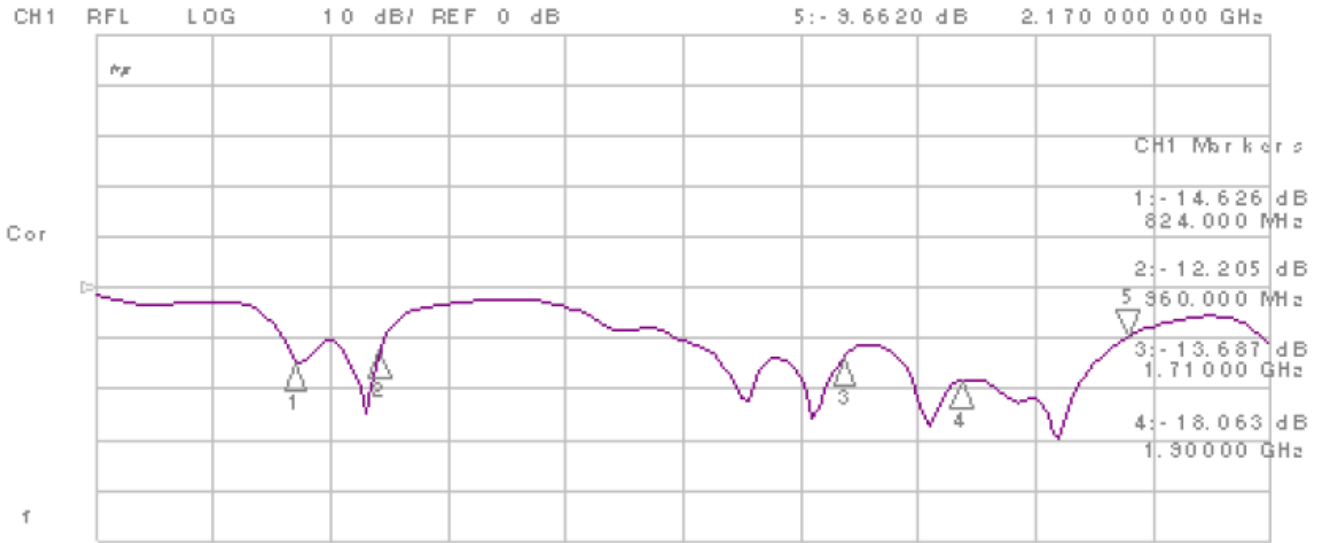
II. Antenna Specification Table

DGO-24298-CF-01	
Electrical Characteristics	
	Cellular Collinear Dipole
Frequency (MHz)	824-960 , 1710-2170
Return Loss (dB)	<-10
Peak Gain (dBi)	2.5 / 3.5
Polarization	Linear
Radiation Pattern	Omni-directional
Impedance (Ω)	50
Mechanical Characteristics	
Dimension (mm)	Dia.: 70, L: 298
Weight (g)	150
Connector	N-Type Female
Housing Material	White Fiberglass
Parts Material	Aluminum
Mounting Method	Pole Mount
Wind Resistant (MPH)	150
Storage Temperature ($^{\circ}\text{C}$)	-40~+85
Operate Temperature ($^{\circ}\text{C}$)	-40~+85

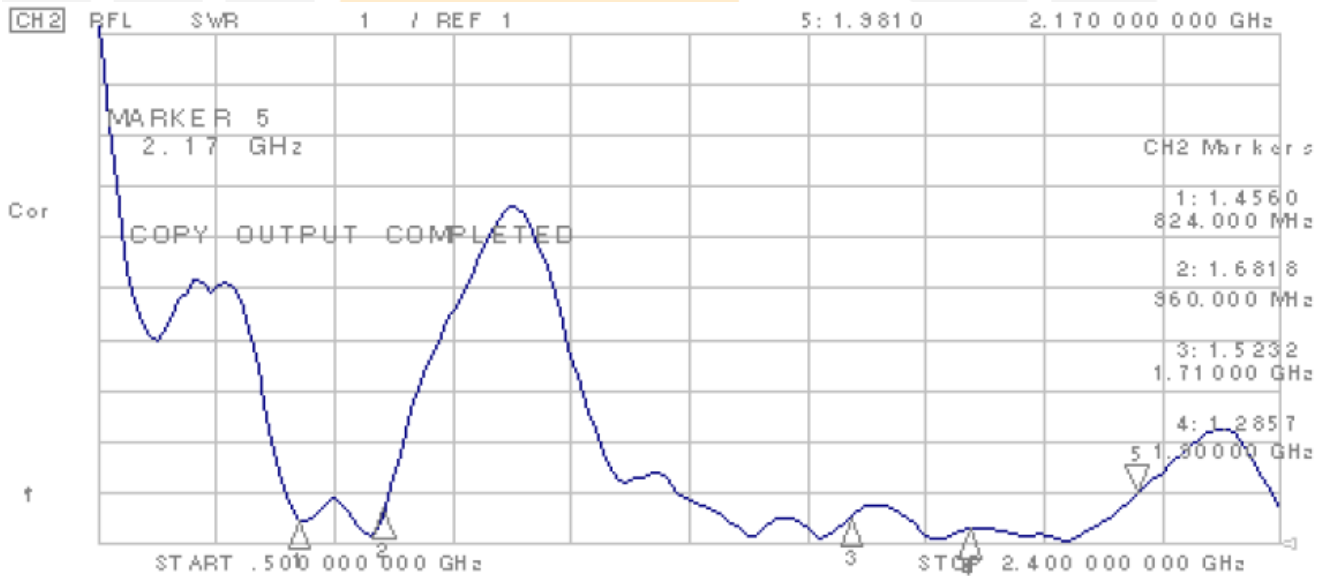


III. Antenna Parameters

Return Loss,

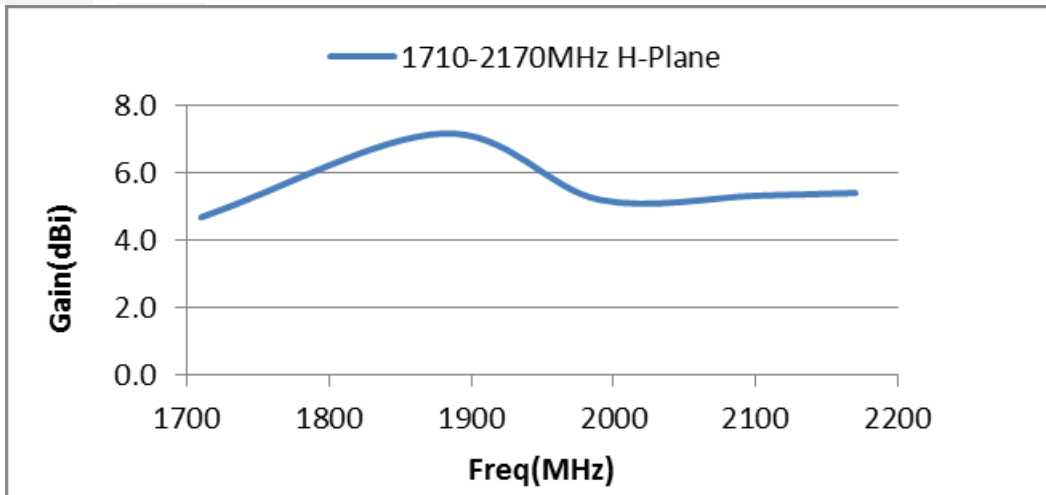
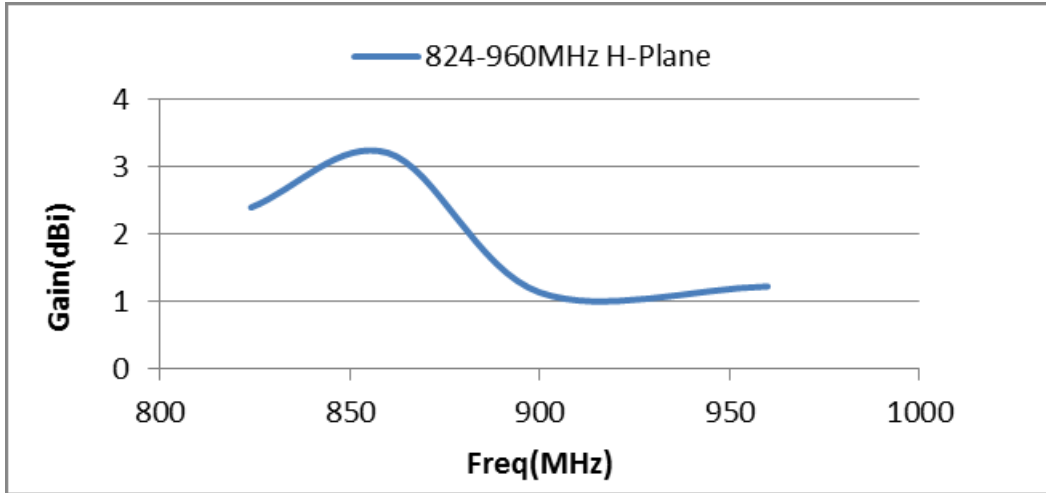


VSWR





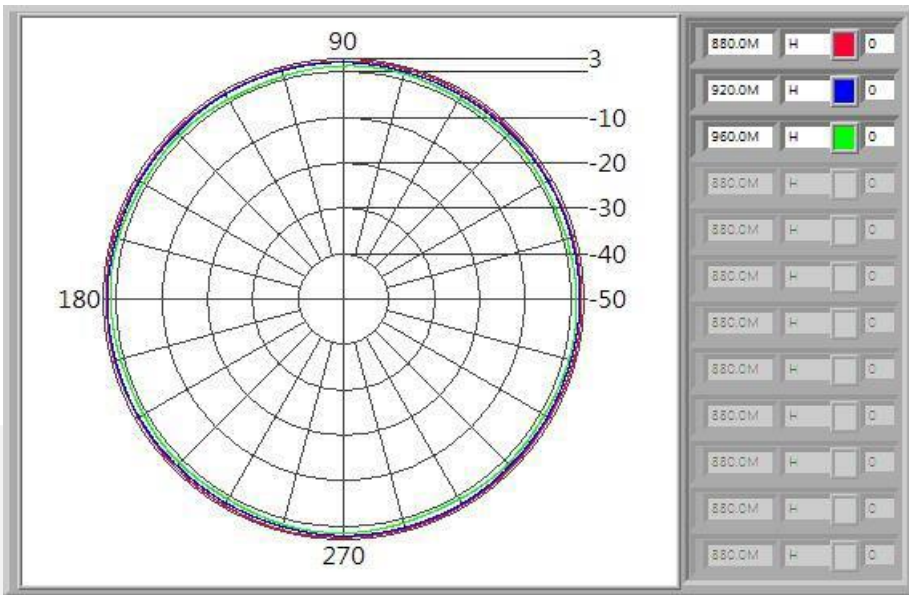
Peak Gain,



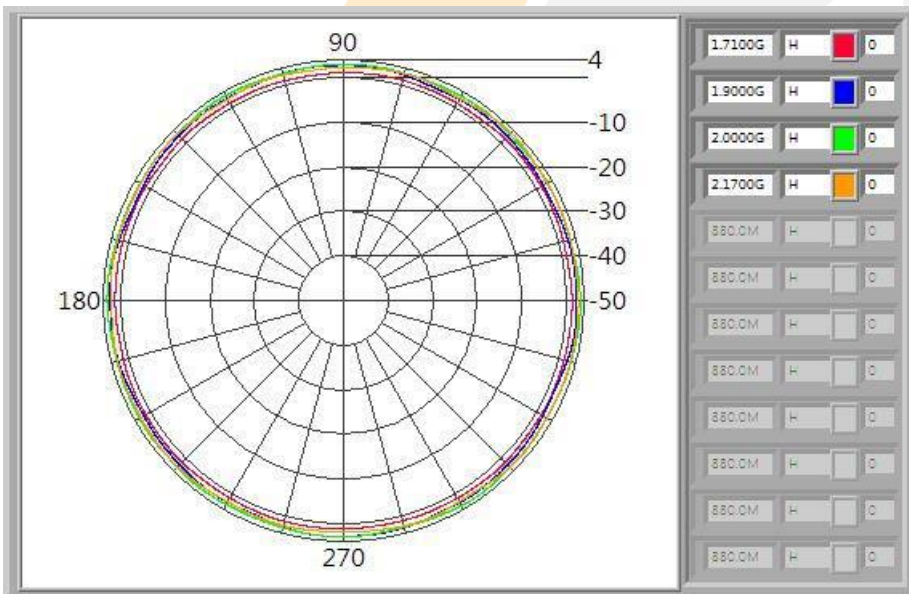


IV. Antenna Radiation Pattern

H-Plane

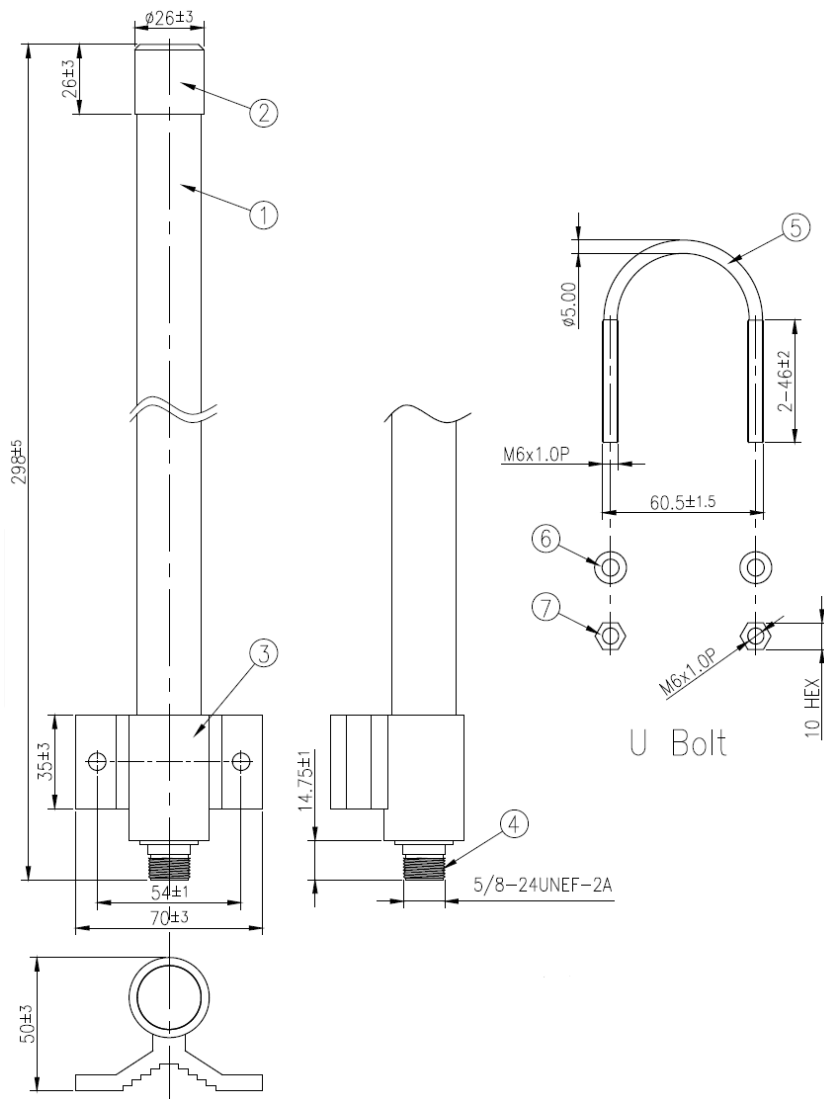


824-960MHz



1710-2170MHz

V. Antenna Drawing



Unit: mm

	Name	Material	Finish	QTY
1	ANTENNA Body	GLASS FIBER	WHITE	1
2	COVER	ABS	SLIVER	1
3	HOLDER	ALUMINUM	SLIVER	1
4	N TYPE(F) CONNECTOR	BRASS	Ni PLATED	1
5	U BOLT	STAINLESS STEEL	SLIVER	1
6	WASHER	STAINLESS STEEL	SLIVER	2
6	NUT	STAINLESS STEEL	SLIVER	2