

# -7RF Antenna-

## 7RF-DGO24319-LF-01



Author: Sam Yang(7RF TW)

Revision: A

Date: 2020/06/04



## I. Introduction.

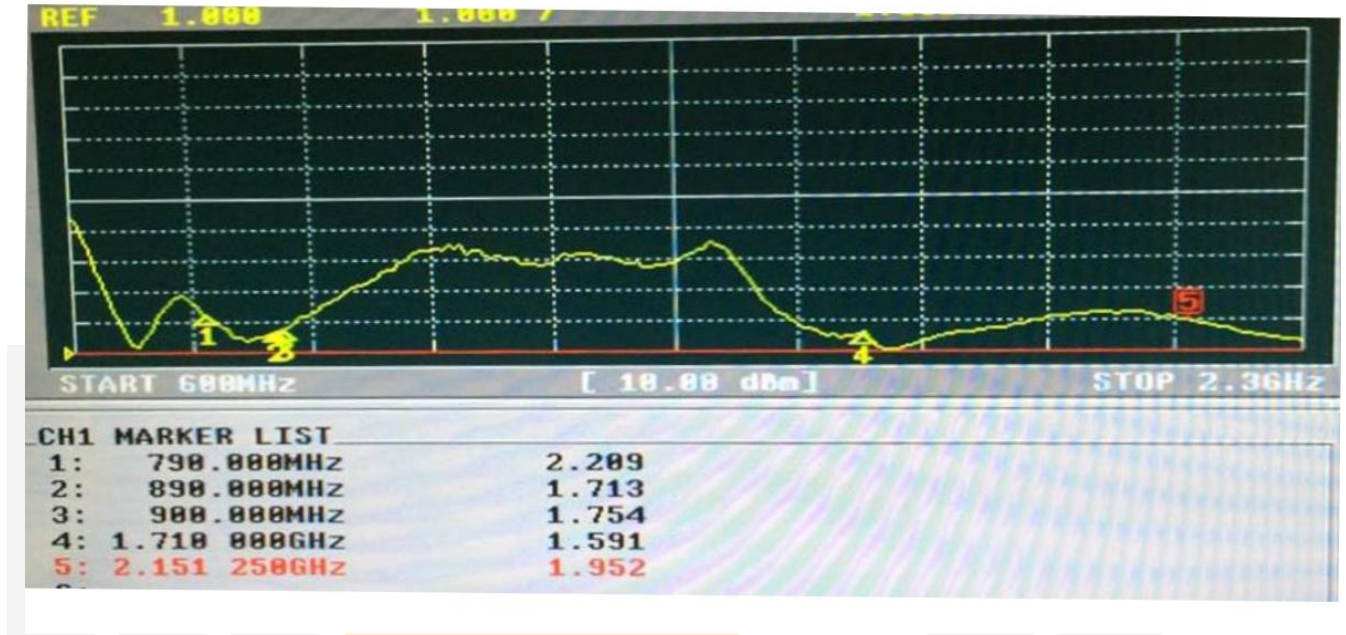
7RF-DGO-24319-LF-01 outdoor collinear dipole antenna, which support 4G/LTE cellular application bands application. The antenna has robust fiber-glass housing, and N-type female connector. It easily to contact to end-user device or extension coaxial cable. We have mounting bracket which can easily fix on pole outdoor. Contact your local sales to get more product information.

## II. Antenna Specification Table

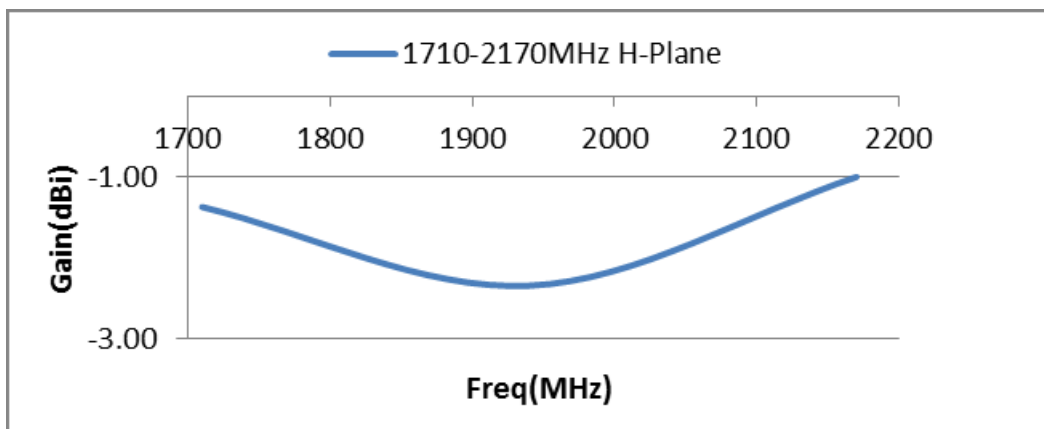
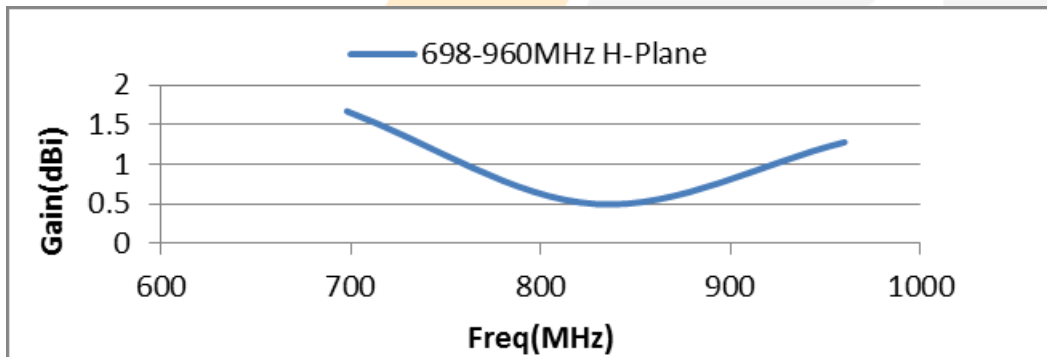
DGO-24319-LF-01	
Electrical Characteristics	
	Cellular Collinear Dipole
Frequency (MHz)	698-960 , 1710-2690
Return Loss (dB)	<-6
Peak Gain (dBi)	2 / 3.5
Polarization	Linear
Radiation Pattern	Omni-directional
Impedance ( $\Omega$ )	50
Mechanical Characteristics	
Dimension (mm)	Dia.: 70, L: 319.5
Weight (g)	170
Connector	N-Type Female
Housing Material	White Fiberglass
Parts Material	Aluminum
Mounting Method	Pole Mount
Wind Resistant (MPH)	150
Storage Temperature ( $^{\circ}\text{C}$ )	-40~+85
Operate Temperature ( $^{\circ}\text{C}$ )	-40~+85

### III. Antenna Parameters

VSWR

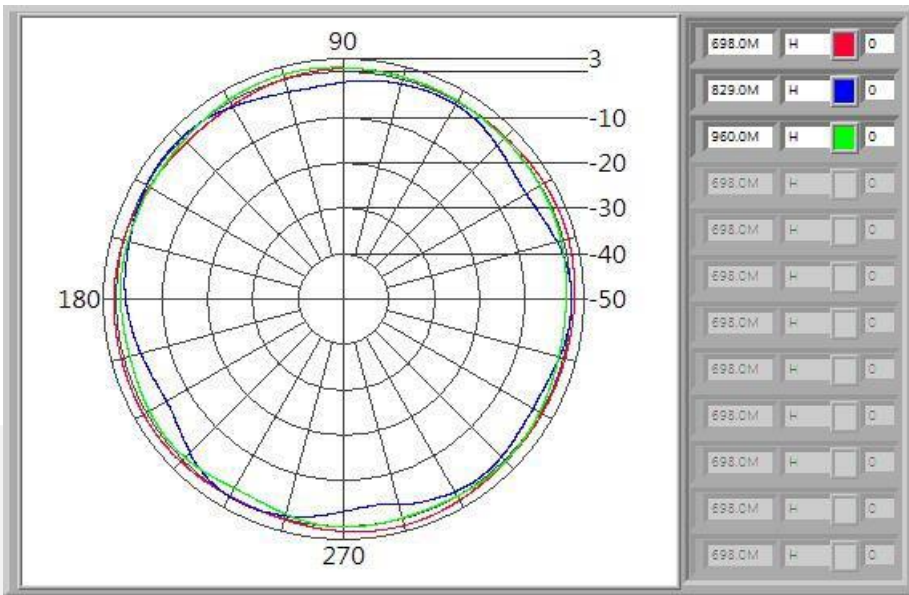


Peak Gain,

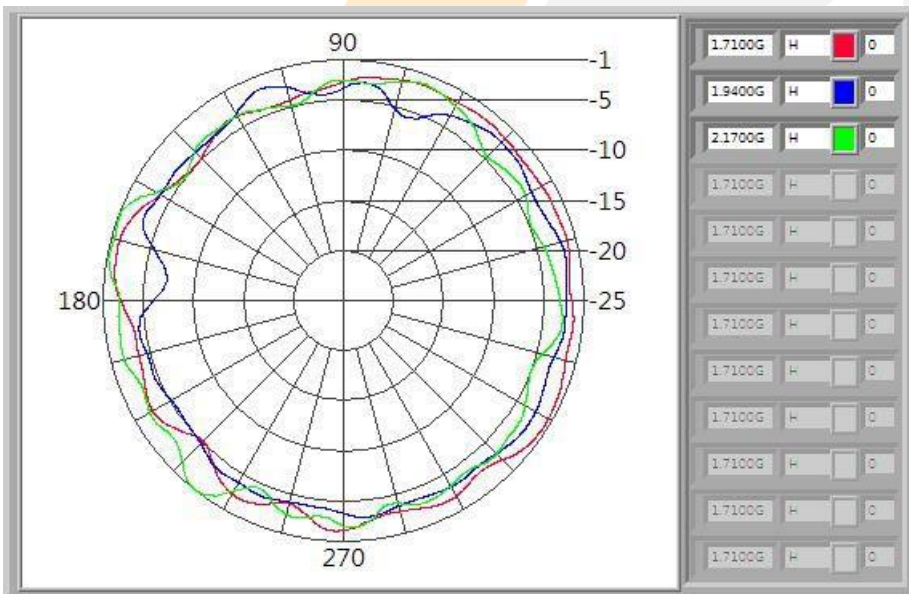


# IV. Antenna Radiation Pattern

H-Plane

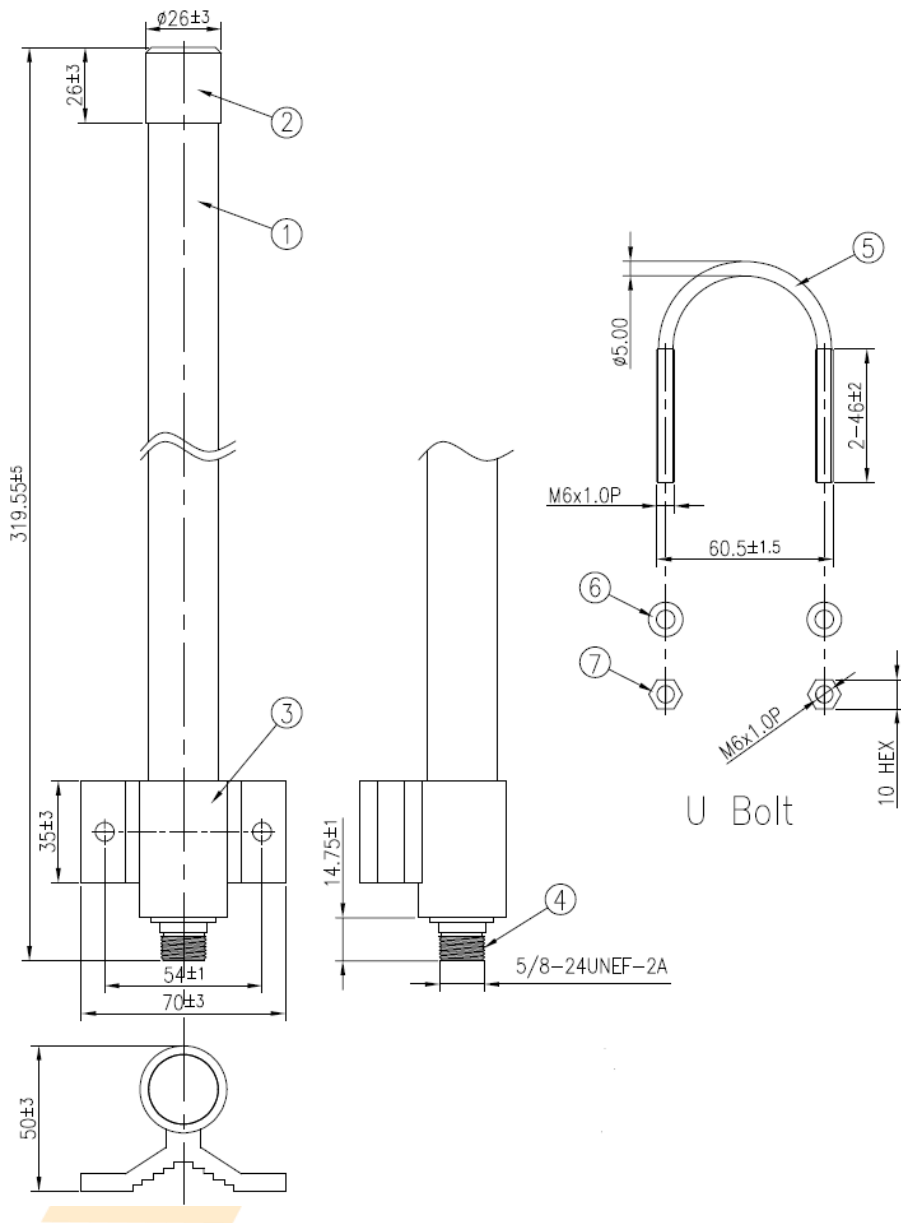


698-960MHz



1710-2170MHz

## V. Antenna Drawing



	Name	Material	Finish	QTY
1	ANTENNA Body	GLASS FIBER	WHITE	1
2	COVER	ABS	SLIVER	1
3	HOLDER	ALUMINUM	SLIVER	1
4	N TYPE(F) CONNECTOR	BRASS	Ni PLATED	1
5	U BOLT	STAINLESS STEEL	SLIVER	1
6	WASHER	STAINLESS STEEL	SLIVER	2
6	NUT	STAINLESS STEEL	SLIVER	2